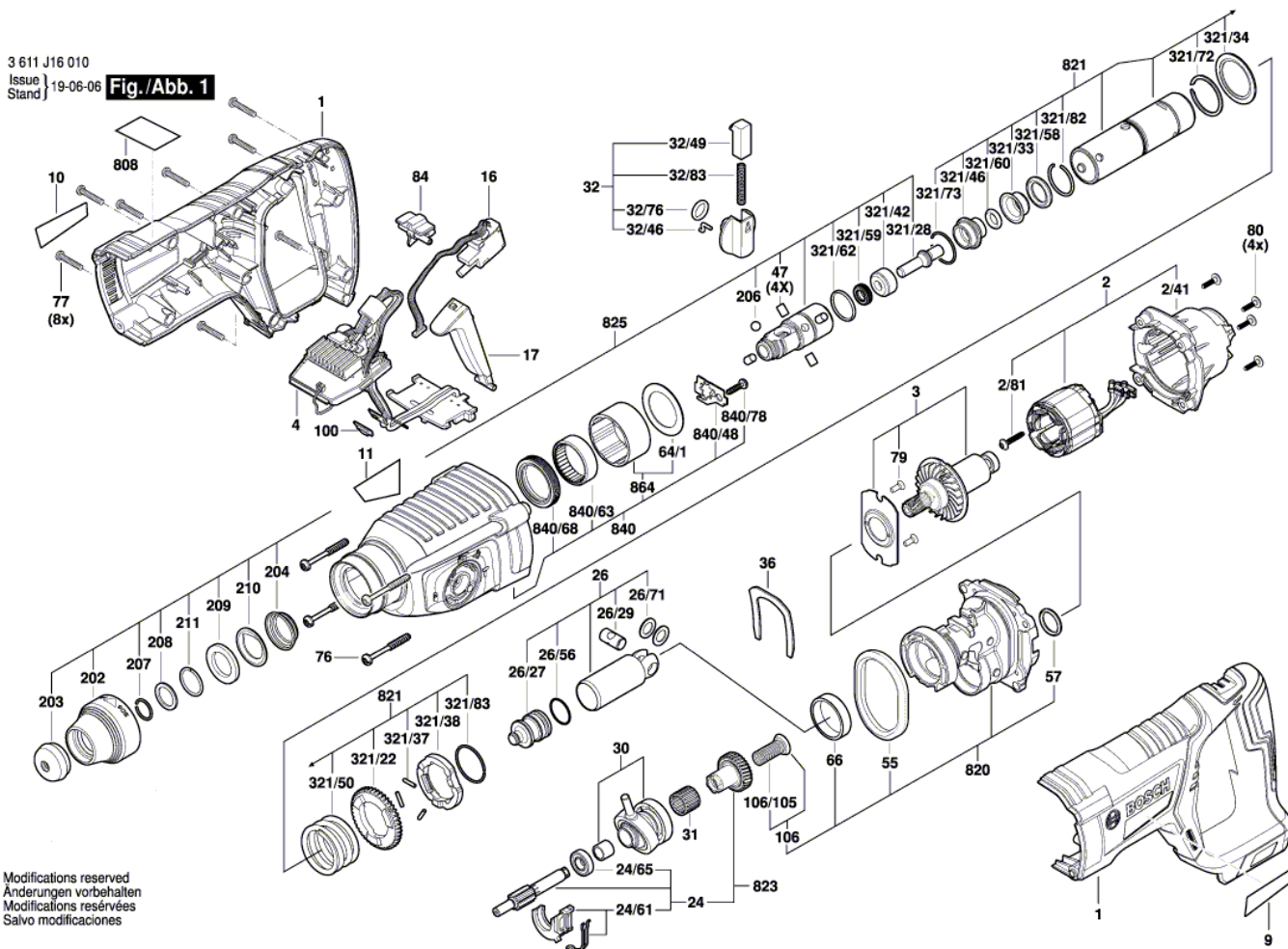


**BOSCH** PARTS AND SERVICE ONLINE

1800 W. Central Mount Prospect IL 60056

Tool Number: 3611J16010
Model Number: GBH18V-26DN

3 611 J16 010

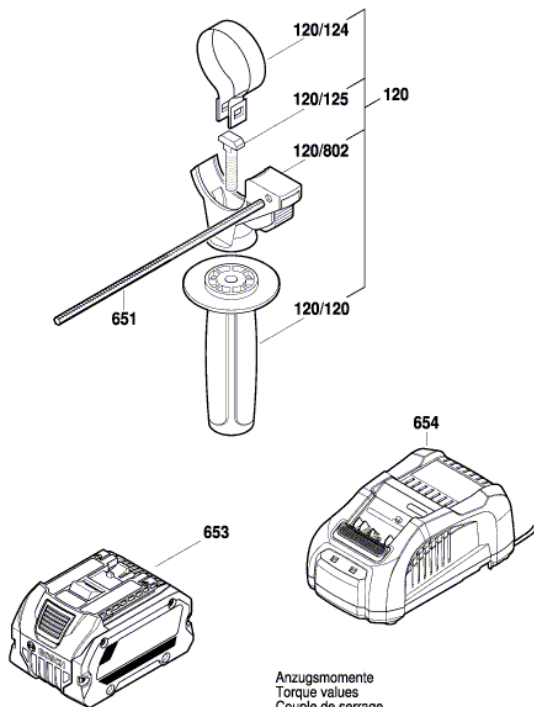
Issue 19-06-06
Stand**Fig./Abb. 1**

**BOSCH** PARTS AND SERVICE ONLINE

1800 W. Central Mount Prospect IL 60056

Tool Number: 3611J16010
Model Number: GBH18V-26DN

3 611 J16 010

Issue } 19-05-06
Stand }**Fig./Abb. 2**

Anzugsmomente
Torque values
Couple de serrage
Pares de apriete
Pos. 76 = 2,8 - 3,5Nm
77 = 2,2 - 2,6Nm
81 = 1,2 - 1,4Nm
78 = 2,0 - 2,5Nm
79 = 1,5 - 2,0Nm

Ausrastmoment 28,0 - 8,0Nm
Slipping point of clutch 28,0 - 8,0Nm
Couple de glessement 28,0 - 8,0Nm
Momento de desenclavamiento 28,0 - 8,0Nm

Modifications reserved
Änderungen vorbehalten
Modifications réservées
Salvo modificaciones

**BOSCH** PARTS AND SERVICE ONLINE

1800 W. Central Mount Prospect IL 60056

Tool Number: 3611J16010
Model Number: GBH18V-26DN

Pos.	Part Number	Description	Pos.	Part Number	Description
1	1 605 108 2HZ	Motor Housing	321/37	1 613 100 019	Straight Pin
2	1 600 A01 4ZC	Stator	321/38	1 600 A00 8AG	Catch Disk
2/41	1 600 A01 6CC	Stator Casing	321/42	1 610 102 073	Thrust Ring
2/81	1 603 435 086	Torx head screw	321/46	1 610 390 051	Guide Bushing
3	1 600 A01 5AA	Rotor	321/50	1 614 611 020	Compression Spring
4	1 607 233 5GP	Electronics Module	321/58	1 610 283 035	Rotary shaft lip seal
9	1 601 11C 2MY	Manufacturer's nameplate	321/59	1 610 283 035	Rotary shaft lip seal
10	1 601 11C 2MZ	Manufacturer's nameplate	321/60	1 610 210 176	O-Ring
11	1 601 11C 2L9	Warning Plate	321/62	1 610 210 179	O-Ring
16	2 607 202 381	Switch	321/72	1 604 601 027	Retaining ring
17	1 600 A01 5T4	Switch-Pawl	321/73	1 614 601 012	Retaining ring
24	1 600 A01 4E1	Toothed Shaft	321/82	1 614 601 034	Retaining ring
24/61	1 615 820 097	Switching Element	321/83	1 604 601 028	Retaining ring
24/65	1 610 905 016	groove ball bearing	651	1 613 001 009	Depth-Gauge
26	1 600 A00 H7D	Hammer Piston	653	1 607 A35 0AP	Battery Pack
26/27	1 600 A00 733	Striker	653	1 607 A35 0CH	Battery Pack
26/29	1 613 105 020	Piston Pin	654	2 607 225 927	Charger
26/56	1 610 210 187	O-Ring	654	2 607 226 257	Fast Charger
26/71	1 610 100 016	Guide Disc	808	1 601 11A 3H9	Nameplate
30	1 600 A00 H7E	Drive bearing	820	1 600 A01 AH5	Intermediate Flange
31	1 610 913 016	Needle-Roller Assembly	821	1 607 000 C8Z	Pipe
32	1 612 026 037	Clamp Handle	823	1 600 A01 AH6	Toothed Shaft
32/46	1 614 690 002	Driver Pin	825	1 617 000 598	Tool Holding Fixture
32/49	1 612 026 035	Switch Button	840	1 607 000 C5N	Gear Housing
32/76	1 610 210 046	O-Ring	840/48	1 611 098 008	Tab Washer
32/83	1 614 611 006	Compression Spring	840/63	1 610 910 063	Needle bearing
36	1 611 016 003	Holding Plate	840/68	1 610 283 036	Rotary shaft lip seal
47	1 613 100 030	Needle Roller	840/78	2 603 490 022	Screw
55	1 610 290 226	Seal Ring	864	1 617 000 A07	Supporting Disc
57	1 610 210 068	O-Ring			
64/1	1 610 190 060	Supporting Disc			
66	1 610 202 021	Plain bearing			
76	1 613 435 022	Thread-forming tap. Screw			
77	2 603 490 023	Torx Oval-Head Screw			
79	1 613 435 023	Thread-forming tap. Screw			
80	1 603 430 00V	Torx Oval-Head Screw			
84	1 600 A01 5UH	Switch Slide			
100	1 600 A00 0LE	Lens			
106	1 614 611 022	Plain bearing			
106/105	1 614 611 021	Compression Spring			
120	1 602 025 09X	Auxiliary Handle			
120/120	1 612 025 083	Auxiliary Handle			
120/124	1 611 316 021	Clamping Band			
120/125	1 613 490 002	T-Head Bolt			
120/802	1 617 000 475	Support clamp			
202	1 610 499 054	Protection Sleeve			
203	1 610 508 047	Protective Cap			
204	1 614 643 003	Compression Spring			
206	1 903 230 013	Ball			
207	1 614 601 027	Retaining ring			
208	1 610 101 629	Retaining Washer			
209	1 610 102 025	Friction Washer			
210	1 610 190 011	Holding Plate			
211	1 604 601 02S	Retaining ring			
321/22	1 600 A00 7JW	Cylindrical Gear			
321/28	1 613 124 081	Striker Pin			
321/33	1 610 590 014	Holding Jacket			
321/34	1 610 190 067	Supporting Disc			